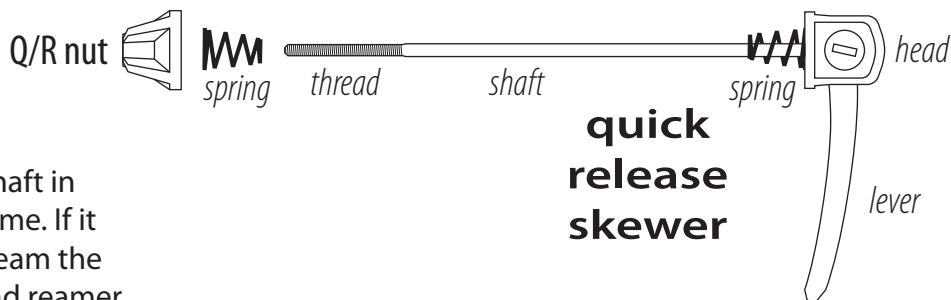
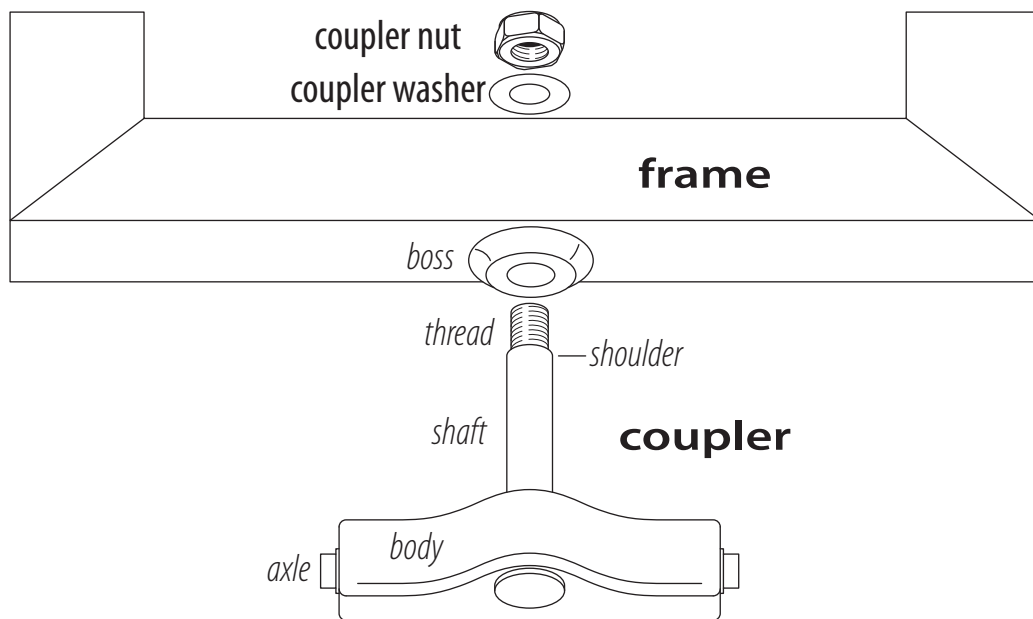


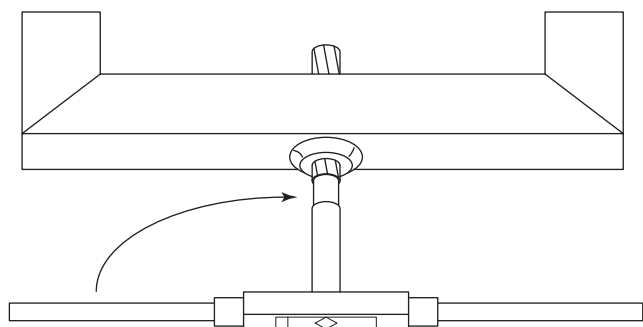
Thank you for purchasing the Greenspeed, Anura tandem coupler. We feel the coupler will expand your enjoyment of your Anura immensely and give you quality time with loved ones. Your Greenspeed Anura Tandem Coupler is designed to couple two Anura trikes together so that they may be used in tandem mode. Please note it is not for use with any two wheeled bikes or single wheel trailers.

1. Components.

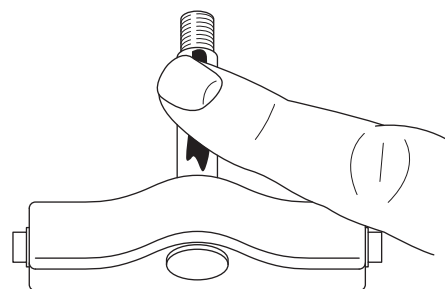
The tandem coupler comes with a washer and nut. A quick release front axle skewer (Q/R) may be added, or the one from the front wheel may be used. Using an addition Q/R saves time removing it from the front wheel and adjusting it each time it is used.



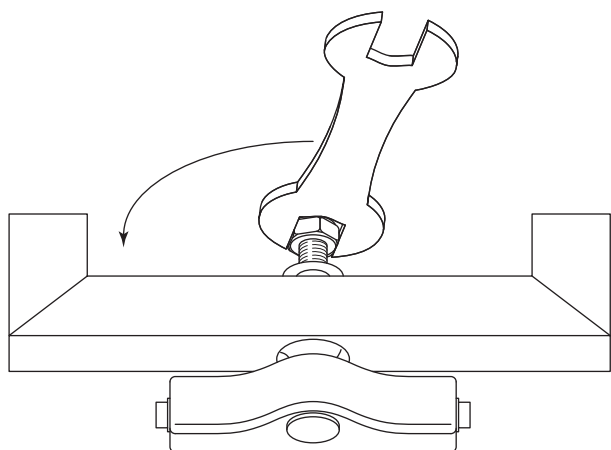
2. Check the fit of the coupler shaft in the boss of the towing Anura frame. If it is too tight to push in by hand, ream the boss with a standard 12 mm hand reamer.



3. Apply a small amount of grease to the shaft.

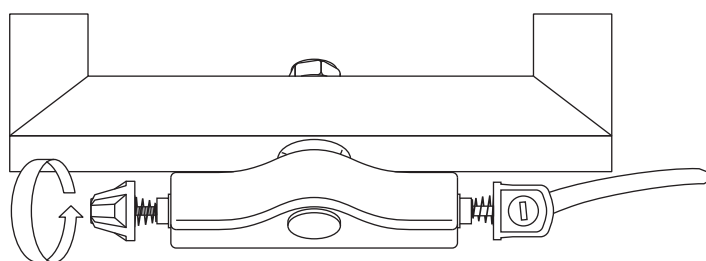


4. Insert the shaft into the frame boss, fit the washer and then the nut. Screw the nut on until it reaches the shoulder on the shaft.



The coupling should rotate freely. If the coupling cannot be turned fairly easily by hand, undo the nut a fraction of a turn, until the coupling can be turned by hand.

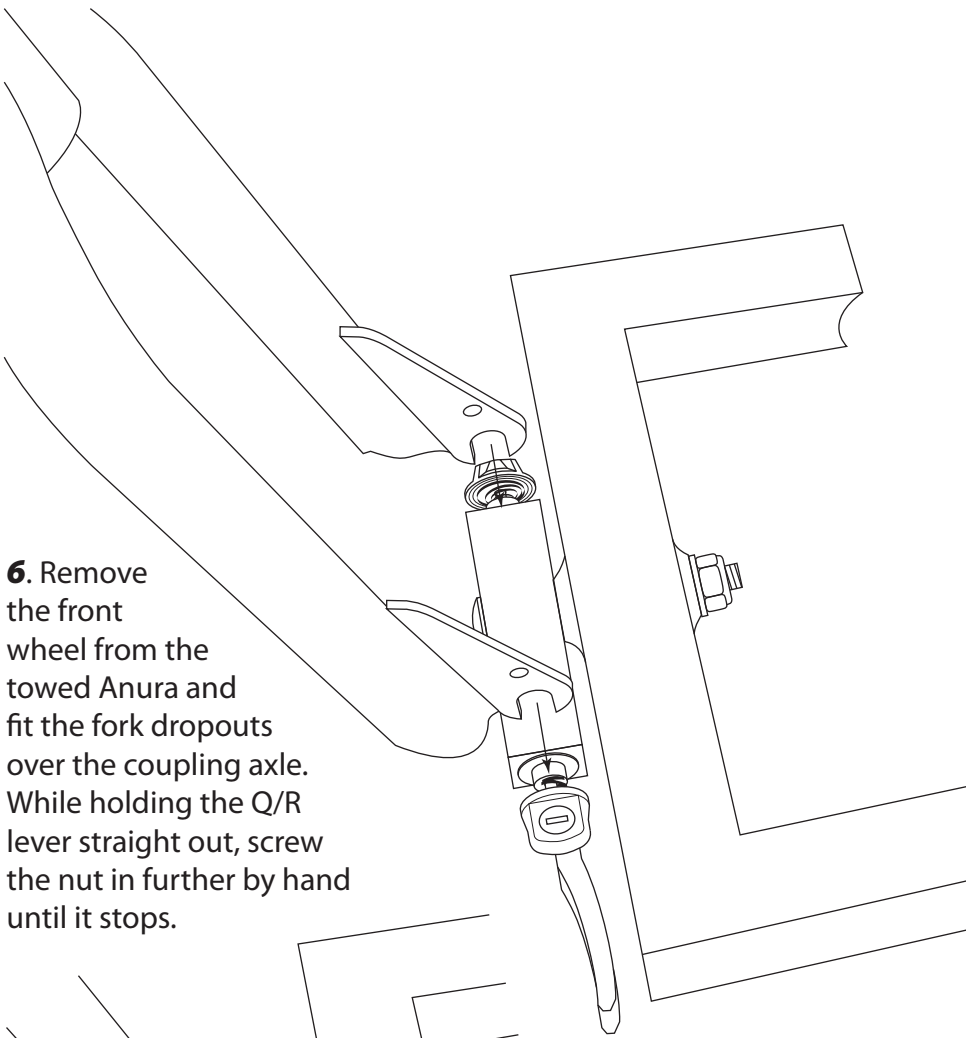
5. Install the Q/R into the axle in the coupling by inserting the skewer and screwing on the nut until the skewer thread is level with the end of the nut.



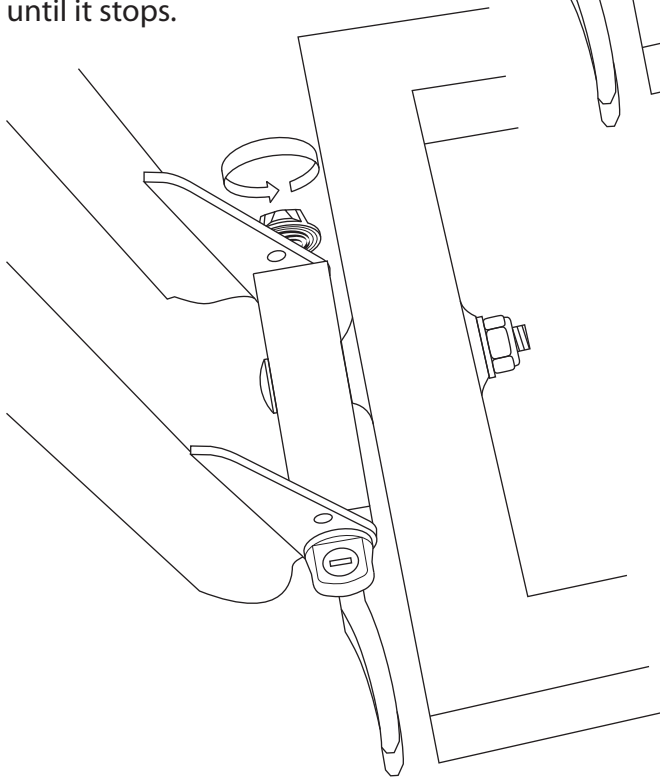
Anura

tandem coupler
please read before use

Greenspeed

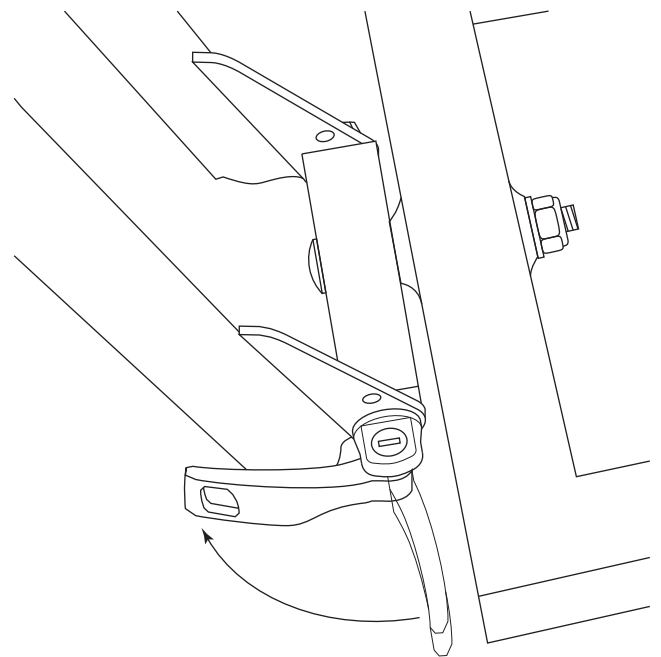


6. Remove the front wheel from the towed Anura and fit the fork dropouts over the coupling axle. While holding the Q/R lever straight out, screw the nut in further by hand until it stops.



7. Now push the lever back to clamp the front forks. It is **EXTREMELY IMPORTANT** that this is a firm action and that it clamps the forks securely. Test by lifting the front section of the towed trike a little to make sure the rear of the towing trike is lifted.

If the action of the lever is not firm, release the lever and tighten the Q/R nut a little more and try again. If the lever cannot be closed, then loosen the Q/R nut a little until it can be closed.



8. Trikes are now coupled. Please take due care in riding in tandem mode. The rear rider must not attempt to steer with the handle bars, as the front forks are now fixed to the coupling. Please note that the front brake on the towed vehicle is no longer operational, so stopping distances may be greater. The rear rider can and should use the rear brakes when needed.